

VP-220 T-Basket type Strainer (T 타입 스트레너) Y-type Strainer (Y 타입 스트레너)

- Screen options include several mesh sizes with easy and rapid interchangeability.
- Screen specification :
T type-SUS 304 / 316L
60 / 40 / 20 mesh
Y type-60 / 40 / 20 mesh

- 필터교환과 세척이 간편함.
- 필터규격 :
T타입 (Basket Type)
-SUS 304 / 316
60 / 40 / 20 mesh
PP / PVC / CPVC
3~8mm 세부항목은 고객이
주문제작
Y타입-PE / 20 mesh
SUS / 40 / 60 mesh

비고: 20 mesh=0.034 inches
40 mesh=0.015 inches
60 mesh=0.0092 inches

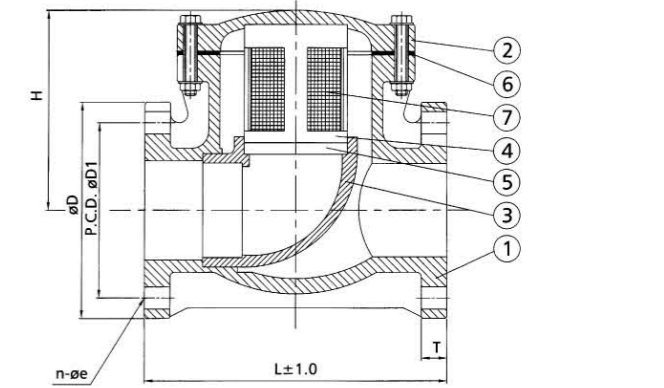
| Type | Size | Standard | Material | Gasket/Seal | End type |
|---------------|---------|----------------|----------|-----------------|------------------------|
| VP-220 T type | 2"~8" | ANSI, JIS, DIN | PVC | EPDM, PTFE, FPM | Flanged |
| VP-220 Y type | 1/2"~2" | ANSI, JIS, DIN | PVC | NR | Union, Socket, Flanged |
| VP-221 T type | 2"~8" | ANSI, JIS, DIN | CPVC | EPDM, PTFE, FPM | Flanged |
| VP-221 Y type | 1/2"~2" | ANSI, JIS, DIN | CPVC | NR | Union, Socket, Flanged |



T-type Strainer DIM.

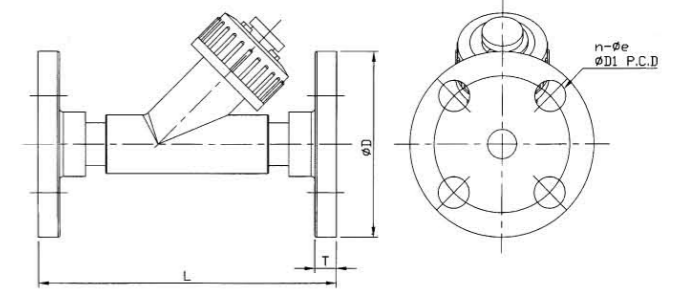
| Nom. | SIZE | 50mm | 65mm | 80mm | 100mm | 150mm | 200mm |
|------|------|-------|----------|-------|-------|-------|--------|
| | | (2") | (2-1/2") | (3") | (4") | (6") | (8") |
| JIS | D | 155 | 175 | 185 | 210 | 285 | 330 |
| | D1 | 120 | 140 | 150 | 175 | 240 | 290 |
| | n-øe | 4-ø19 | 4-ø19 | 8-ø19 | 8-ø19 | 8-ø23 | 12-ø23 |
| ANSI | D | 152 | 178 | 191 | 229 | 285 | 343 |
| | D1 | 121 | 140 | 152 | 191 | 241 | 298 |
| | n-øe | 4-ø19 | 4-ø19 | 4-ø19 | 8-ø19 | 8-ø22 | 8-ø22 |
| DIN | D | 165 | 185 | 200 | 220 | 285 | 343 |
| | D1 | 125 | 145 | 160 | 180 | 240 | 295 |
| | n-øe | 4-ø18 | 4-ø18 | 8-ø18 | 8-ø18 | 8-ø22 | 8-ø22 |
| L | | 200 | 240 | 260 | 300 | 400 | 500 |
| H | | 166 | 170.5 | 170 | 216 | 286 | 336 |
| T | | 20 | 22 | 22 | 24 | 26 | 30 |

| NO. | PART | MATERIAL | Q'TY |
|-----|------------|----------------|------|
| 1 | BODY | UPVC, CPVC | 1 |
| 2 | BONNET | UPVC, CPVC | 1 |
| 3 | 90° ELL | UPVC, CPVC | 1 |
| 4 | INNER BODY | UPVC, CPVC | 1 |
| 5 | OUTER BODY | UPVC, CPVC | 1 |
| 6 | GASKET | EPDM, FPM | 1 |
| 7 | FILTER | SUS304 or 316L | 1 |



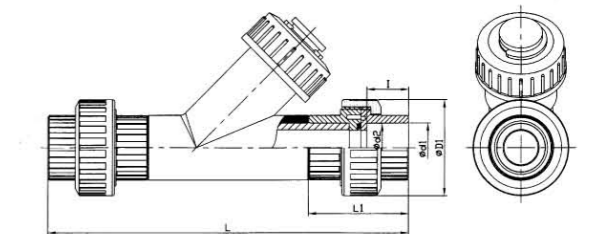
Y-type Strainer(Flanged) DIM.

| Nom. | SIZE | 15mm | 20mm | 25mm | 32mm | 40mm | 50mm |
|------|------|--------|--------|------|----------|----------|------|
| | | (1/2") | (3/4") | (1") | (1-1/4") | (1-1/2") | (2") |
| JIS | D | 95 | 100 | 125 | 135 | 140 | 155 |
| | D1 | 70 | 75 | 90 | 100 | 105 | 120 |
| | L | 160 | 175 | 202 | 245 | 247 | 292 |
| | T | 14 | 15 | 15 | 16 | 16 | 20 |
| | n-øe | 4-15 | 4-15 | 4-19 | 4-19 | 4-19 | 4-19 |
| ANSI | D | 89 | 98 | 108 | 117 | 127 | 152 |
| | D1 | 61 | 70 | 79 | 89 | 98 | 121 |
| | L | 154 | 170 | 200 | 245 | 250 | 290 |
| | T | 11 | 12 | 14 | 16 | 17.5 | 19 |
| | n-øe | 4-16 | 4-16 | 4-16 | 4-16 | 4-16 | 4-19 |



Y-type Strainer(Union) DIM.

| Nom. | SIZE | 15mm | 20mm | 25mm | 32mm | 40mm | 50mm |
|------|------|--------|--------|-------|----------|----------|-------|
| | | (1/2") | (3/4") | (1") | (1-1/4") | (1-1/2") | (2") |
| ANSI | d1 | 21.54 | 26.87 | 33.65 | 42.42 | 48.56 | 60.63 |
| | d2 | 21.23 | 26.57 | 33.27 | 42.04 | 48.11 | 60.17 |
| | l | 22.22 | 25.40 | 28.58 | 31.75 | 34.93 | 38.10 |
| JIN | d1 | 22.30 | 26.30 | 32.33 | 38.43 | 48.46 | 60.56 |
| | d2 | 21.70 | 25.70 | 31.67 | 37.57 | 47.54 | 59.44 |
| | l | 22.22 | 25.40 | 28.58 | 31.75 | 34.93 | 38.10 |
| DIN | d1 | 20.30 | 25.30 | 32.30 | 40.30 | 50.30 | 63.30 |
| | d2 | 19.90 | 24.90 | 31.90 | 39.90 | 49.90 | 62.90 |
| | l | 16 | 19 | 22 | 26 | 31 | 38 |
| D1 | | 46.50 | 55 | 66 | 82 | 98 | 120 |
| L | | 202 | 233 | 261 | 324 | 334 | 377 |
| L1 | | 56 | 64 | 72 | 87 | 90 | 98 |



Y-type Strainer (Socket) DIM.

| Nom. | SIZE | 15mm | 20mm | 25mm | 32mm | 40mm | 50mm |
|------|------|--------|--------|-------|----------|----------|-------|
| | | (1/2") | (3/4") | (1") | (1-1/4") | (1-1/2") | (2") |
| ANSI | d1 | 21.54 | 26.87 | 33.65 | 42.42 | 48.56 | 60.63 |
| | d2 | 21.23 | 26.57 | 33.27 | 42.04 | 48.11 | 60.17 |
| | l | 22.22 | 25.40 | 28.58 | 31.75 | 34.93 | 38.10 |
| D | | 30 | 36 | 44 | 61 | 61 | 77 |
| L1 | | 90 | 105 | 117 | 150 | 154 | 181 |

